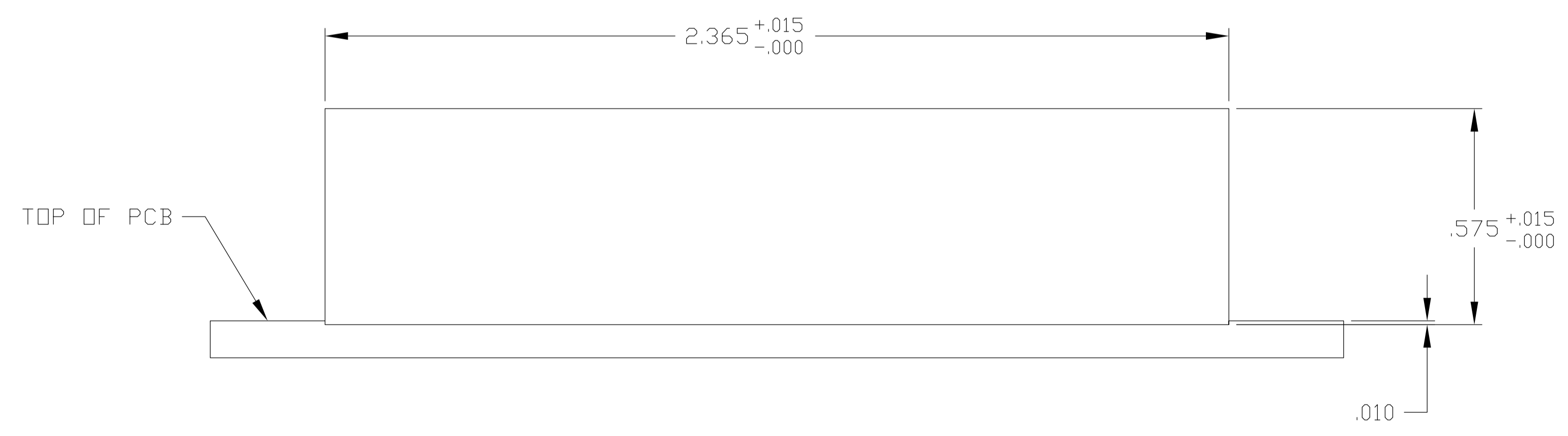
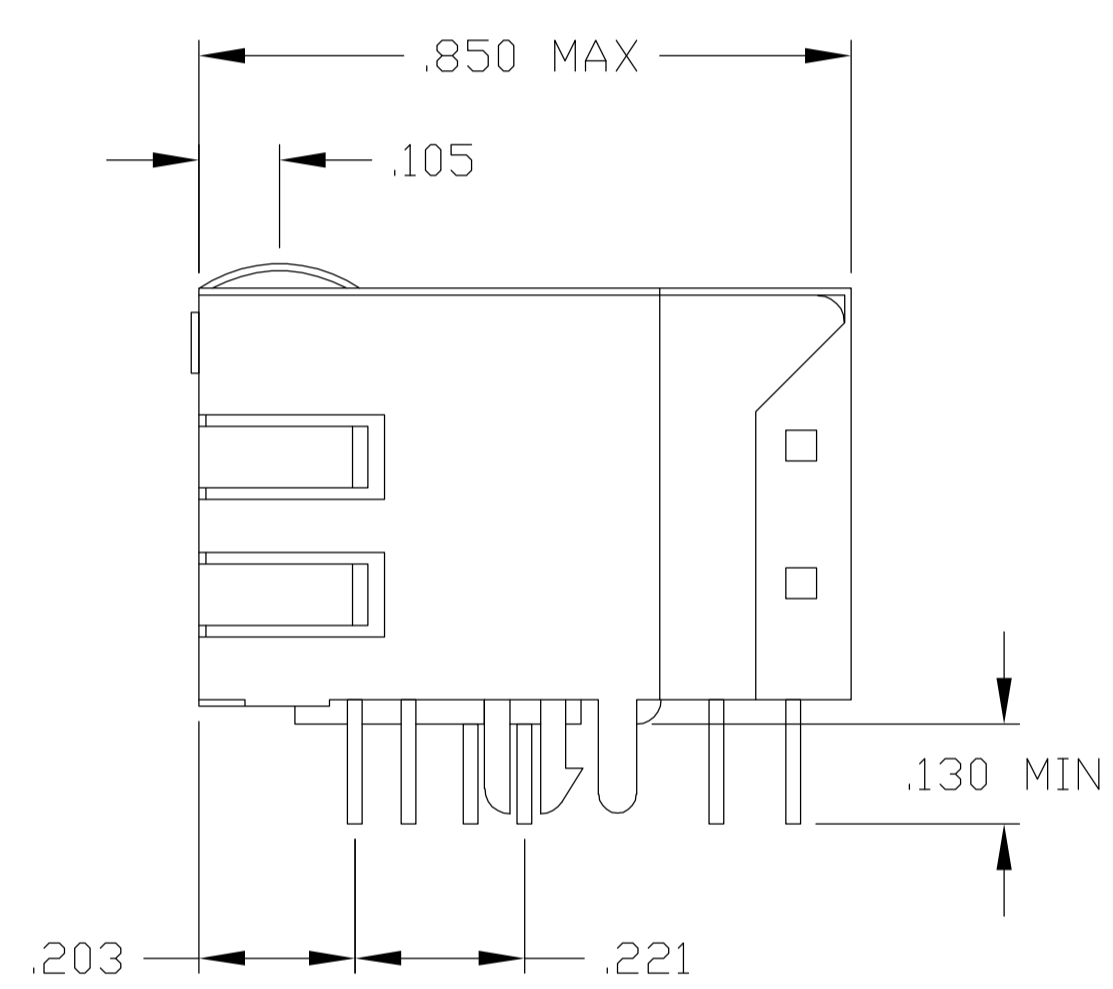
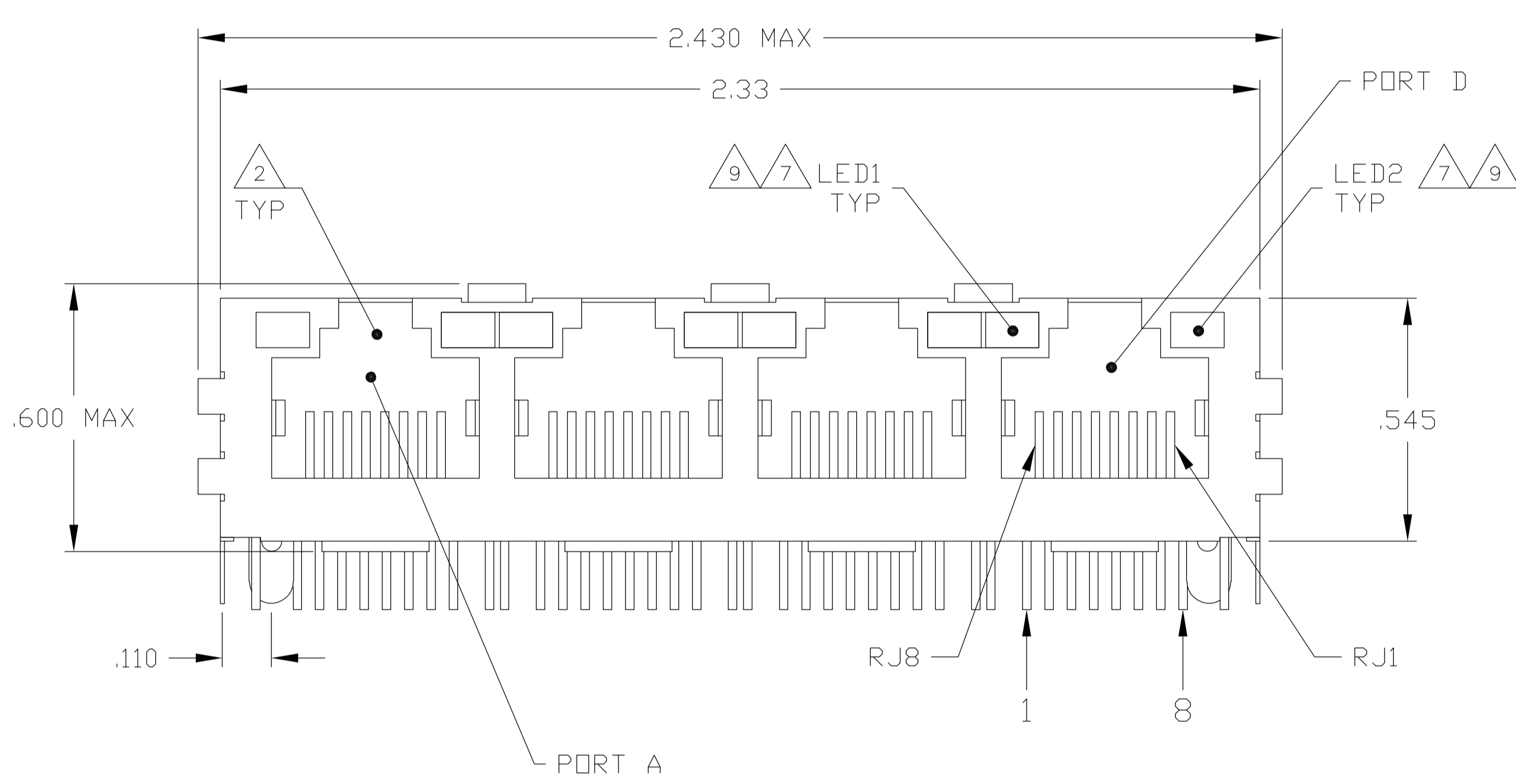
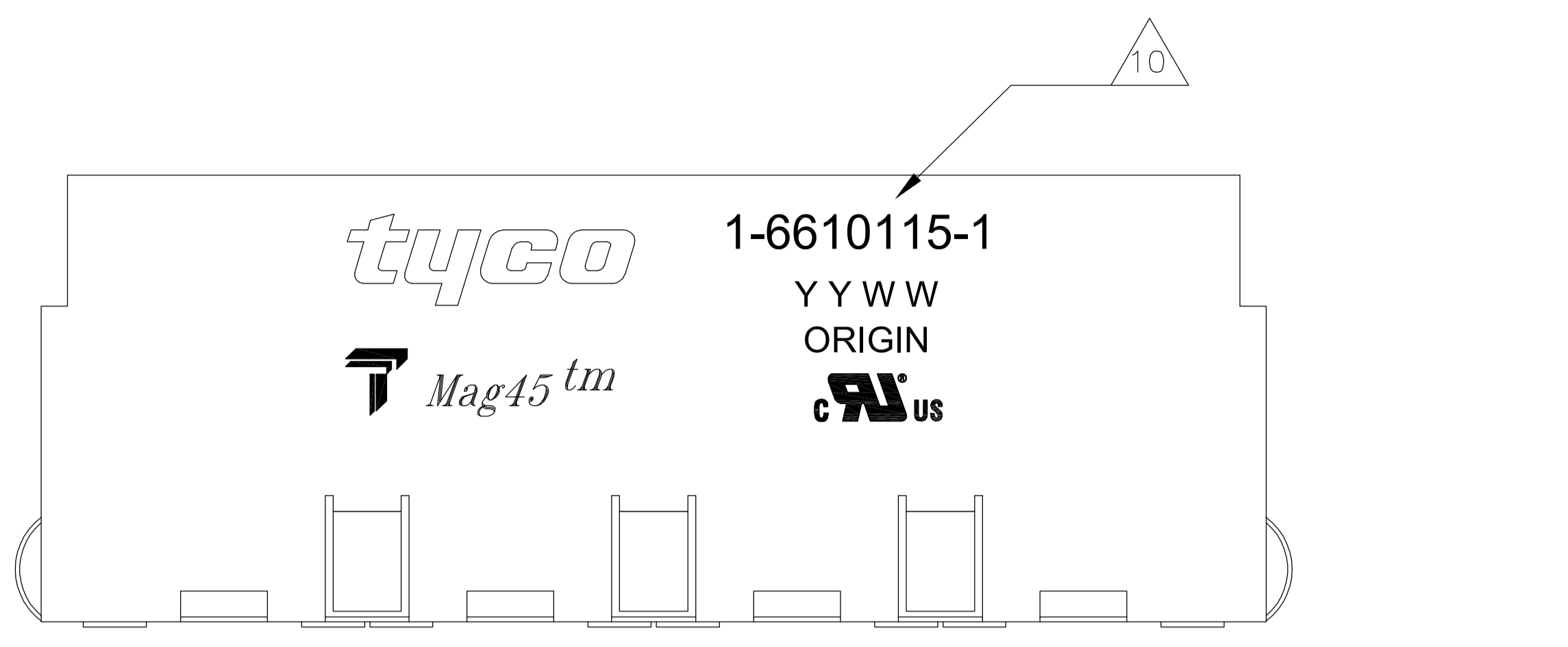


MECHANICAL:



1X4 SUGGESTED PANEL CUTOUT

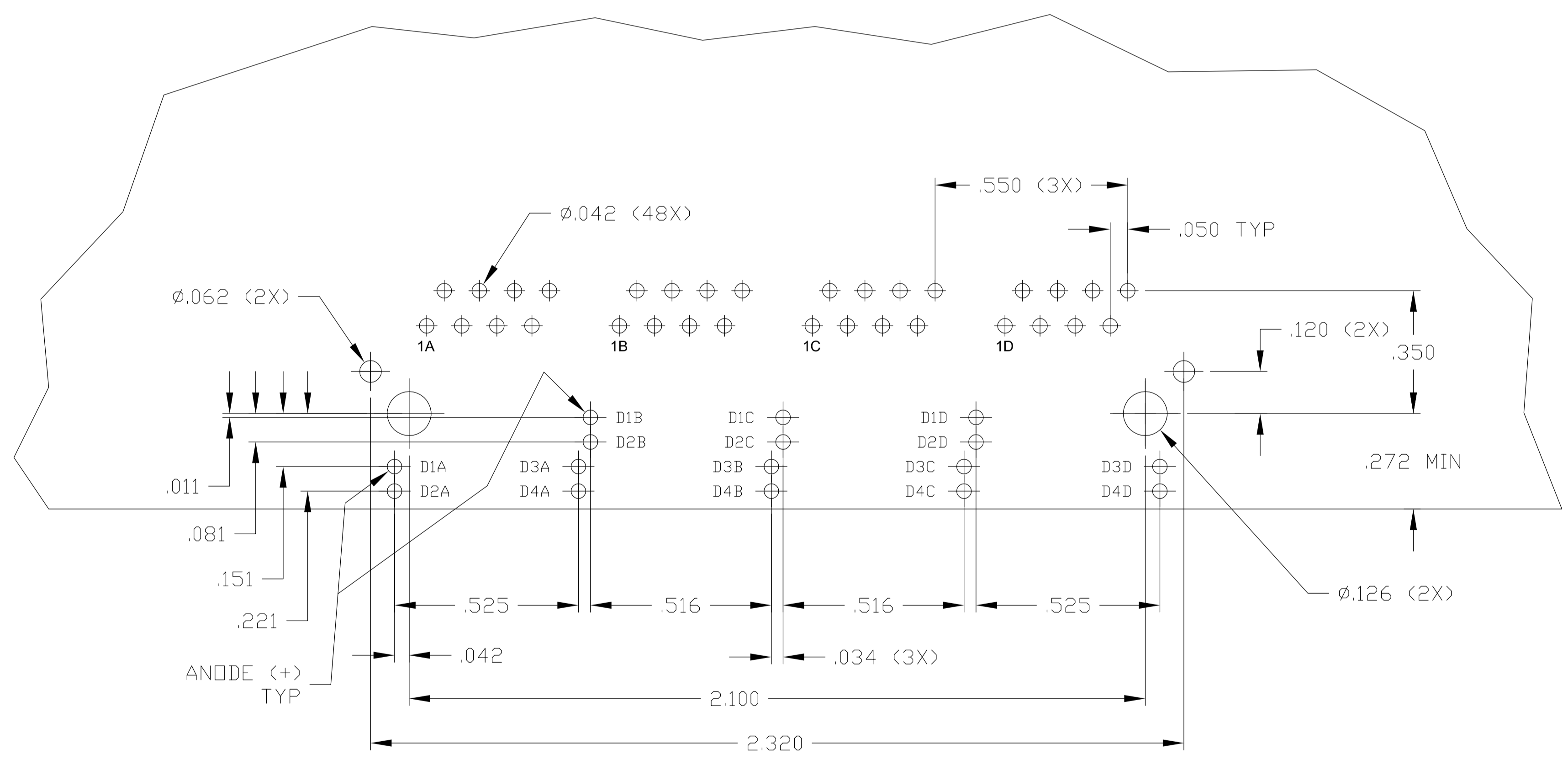
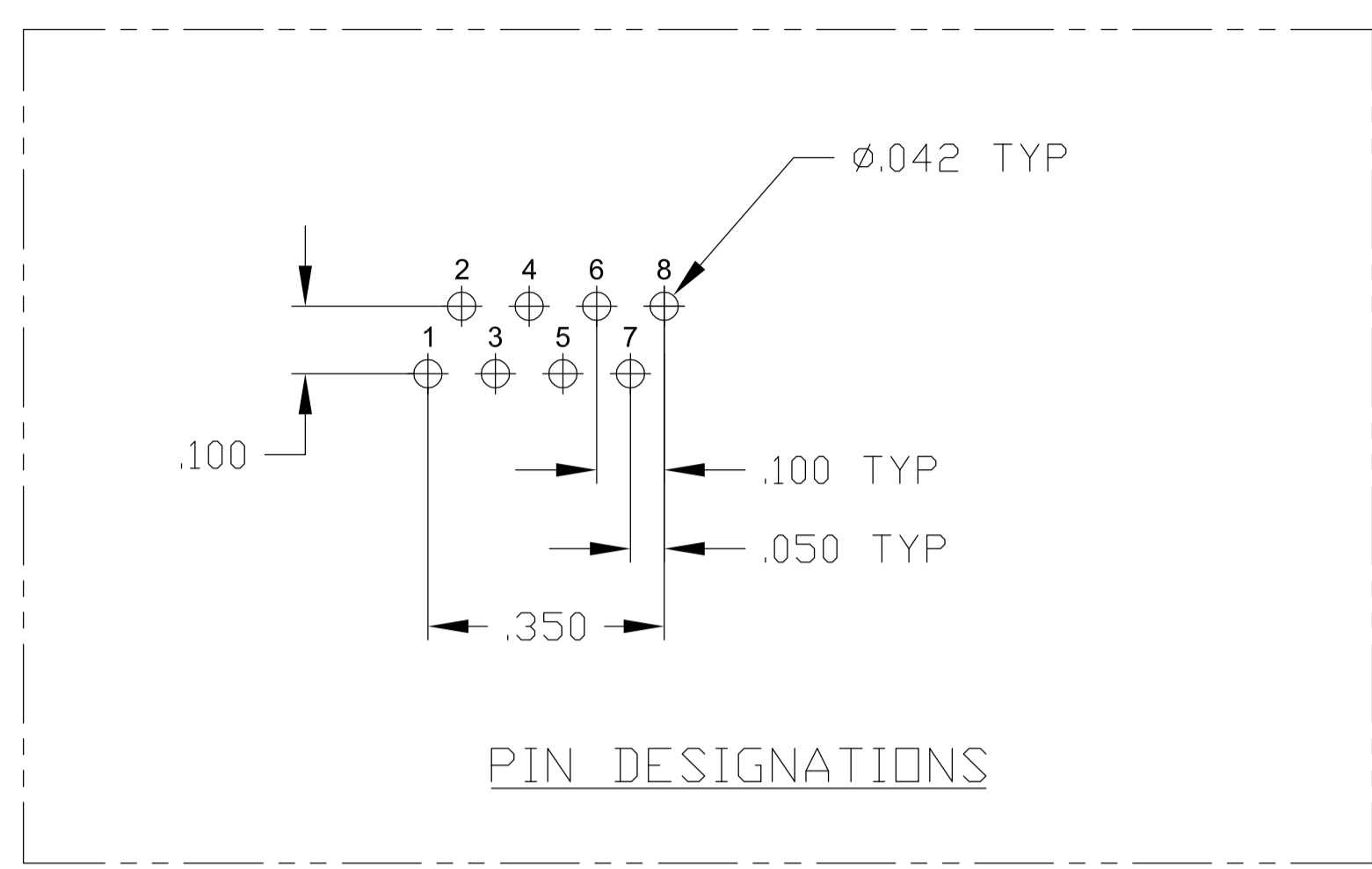
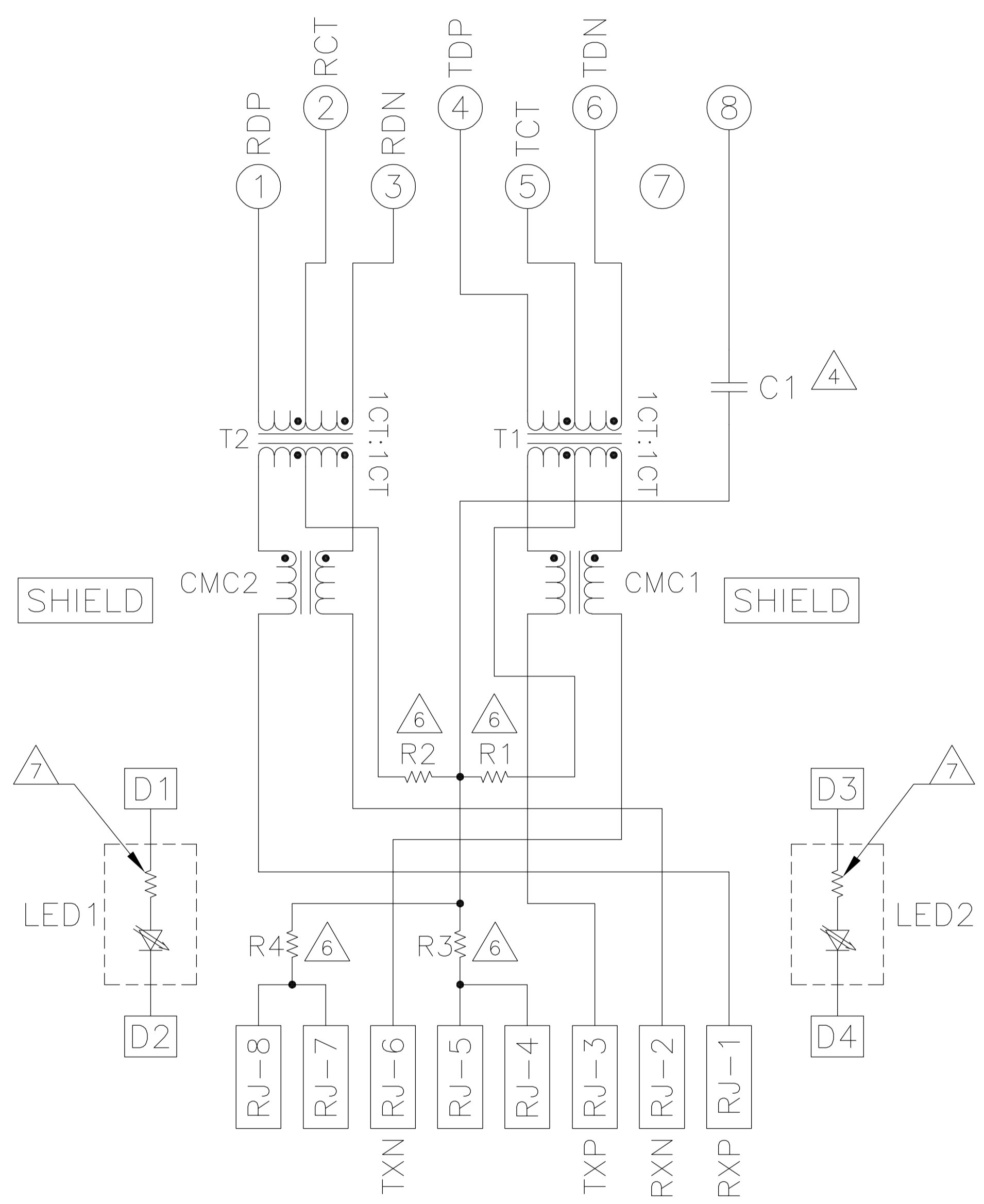
- 1 MATERIALS:
  - HOUSING - THERMOPLASTIC PET POLYESTER FLAMMABILITY RATING UL 94V-0.
  - SHIELD - .010" THICK, C26800 BRASS PREPLATED WITH 30μINCH MIN SEMI-BRIGHT NICKEL. SOLDER TABS POST DIPPED WITH 100μINCH MIN SAC SOLDER.
  - MOD JACK CONTACTS - 0.0157 X 0.018" PHOSPHOR BRONZE, 50μINCH MIN OVERALL NICKEL UNDERPLATE WITH SELECT 50μINCH MIN HARD GOLD FINISH PLATE. SOLDER TAILS WITH 100μINCH MIN MATTE TIN AND/OR SAC SOLDER DIP.
  - LIGHT EMITTING DIODE(LED) - DIFFUSED EPOXY LENS, .020" X .020" CARBON STEEL WIREFRAME LEADS PRE-PLATED WITH 80μINCH SILVER OVER 40μINCH NICKEL UNDERPLATE OVER 40μINCH COPPER UNDERPLATE. POST-PLATED WITH 100μIN MIN MATTE TIN AND/OR SAC SOLDER DIP OR PURE TIN SOLDER DIP.
- 2 RJ45 JACK CAVITY CONFORMS TO FCC RULES AND REGULATIONS PART 68, SUB PART F.
- 3 MAGNETICS
  - IMPEDANCE: 100 OHMS
  - TURNS RATIO (CHIP:CABLE): TX = 1:1, RX = 1:1
  - OPEN CIRCUIT INDUCTANCE (OCL): 350μH MIN @100kHz, 0.1VRMS, 8mADC BIAS FROM 0°C TO 70°C, TX AND RX
  - PERFORMANCE @ 25°C:
    - INSERTION LOSS (IL): 1.1dB MAX FROM 0.5MHz TO 100MHz
    - RETURN LOSS (RL): 18dB MIN FROM 0.5MHz TO 30MHz
    - 18-20LOG(f/30)dB MIN FROM 30.1MHz TO 60MHz
    - 12dB MIN FROM 60.1MHz TO 80MHz
    - CROSSTALK ATTENUATION: 35dB MIN FROM 0.5MHz TO 40MHz
    - 33-20\*LOG(f/50)dB MIN FROM 40.1MHz TO 100MHz
    - COMMON MODE REJECTION RATIO (CMRR): 30dB MIN FROM 0.5MHz TO 100MHz
    - ISOLATION VOLTAGE: COMPLIES WITH IEEE802.3 2002, PARA 23.5.1.1, ITEM a or b.
- 4 C1 IS AN OPTIONAL 1000pF, 2kV DECOUPLING CAPACITOR IF NO CAPACITOR TRACE IS CONTINUOUS. SEE TABLE FOR PRESENCE OF CAPACITOR IN DIFFERENT CONFIGURATIONS.
- 5. OPERATING TEMPERATURE: FROM 0°C TO +70°C.
- 6 R1-R4 = 75 OHMS, 1/16 W, 5% RESISTORS.
- 7 LED COMPLIANT WITH IEC60825-1 SAFETY OF LASER PRODUCTS. WHEN OPERATED UP TO 20 mA. THE 250 OHM RESISTOR IS INCLUDED WITH 1-6610115 AND 6-6610115-1.
- 8 INDICATED CONNECTIONS ARE FOR HUB CONFIGURATION. THE MAGNETICS ARE SYMMETRICAL, AND SUPPORT AUTO MDI/MDIX.
- 9 LED PEAK WAVELENGTH GREEN(λ)=565nm.
- 10 TRADEMARK, PART NUMBER, DATE CODE, COUNTRY OF ORIGIN AND AGENCY APPROVAL MARKING IN APPROXIMATE LOCATION SHOWN.

YES	GREEN	GREEN	6-6610115-1
YES	GREEN	GREEN	5-6610115-7
NO	GREEN	GREEN	1-6610115-1
DECOUPLING CAPACITOR 4	LED1 7	LED2 8	PART NUMBER

THIS DRAWING IS A CONTROLLED DOCUMENT.

DWN: A. FERNANDEZ-DOCKES	16MAR2005		Tyco Electronics Corporation
CHK: D. FAROLE	16MAR2005		Harrisburg, PA 17105-3608
APRD: D. FAROLE	16MAR2005	NAME:	1X4 MAG45(TM) MODULAR JACK, 7H2P1
DIMENSIONS: INCHES	TOLERANCES UNLESS OTHERWISE SPECIFIED:	PRODUCT SPEC:	SCHEMATIC, 766P1 MAGNETIC CIRCUIT, SHIELDED,
0 PLC ± -	1 PLC ± -	APPLICATION SPEC:	OPTIONAL DECOUPLING CAPACITOR, WITH LEDS
2 PLC ± .010	3 PLC ± .005	SIZE:	A1
4 PLC ± -	ANGLES ± -	CAGE CODE:	00779
MATERIAL: 1	FINISH: 1	DRAWING NO:	6610115
		WEIGHT:	-
		CUSTOMER DRAWING:	SCALE 4:1 SHEET 1 OF 2 REV A

766P1 SERIES MAGNETIC CIRCUIT  $\triangle 3/8$



SUGGESTED PCB LAYOUT

THIS DRAWING IS A CONTROLLED DOCUMENT.		DWN A. FERNANDEZ-DOCKES 16MAR2005	tyco Electronics	Tyco Electronics Corporation Harrisburg, PA 17105-3608
DIMENSIONS: INCHES		APRD D. FAROLE 16MAR2005	NAME 1X4 MAG45(TM) MODULAR JACK, 7H2P1 SCHEMATIC, 766P1 MAGNETIC CIRCUIT, SHIELDED, OPTIONAL DECOUPLING CAPACITOR, WITH LEDS	RESTRICTED TO
TOLERANCES UNLESS OTHERWISE SPECIFIED: 0. PLC ± - 1. PLC ± - 2. PLC ± .010 3. PLC ± .005 4. PLC ± - ANGLES ± -		PRODUCT SPEC 108-2100	APPLICATION SPEC	SIZE A1
MATERIAL		WEIGHT	CAGE CODE 00779	DRAWING NO. 6610115
		CUSTOMER DRAWING	SCALE 4:1	SHEET 2 OF 2